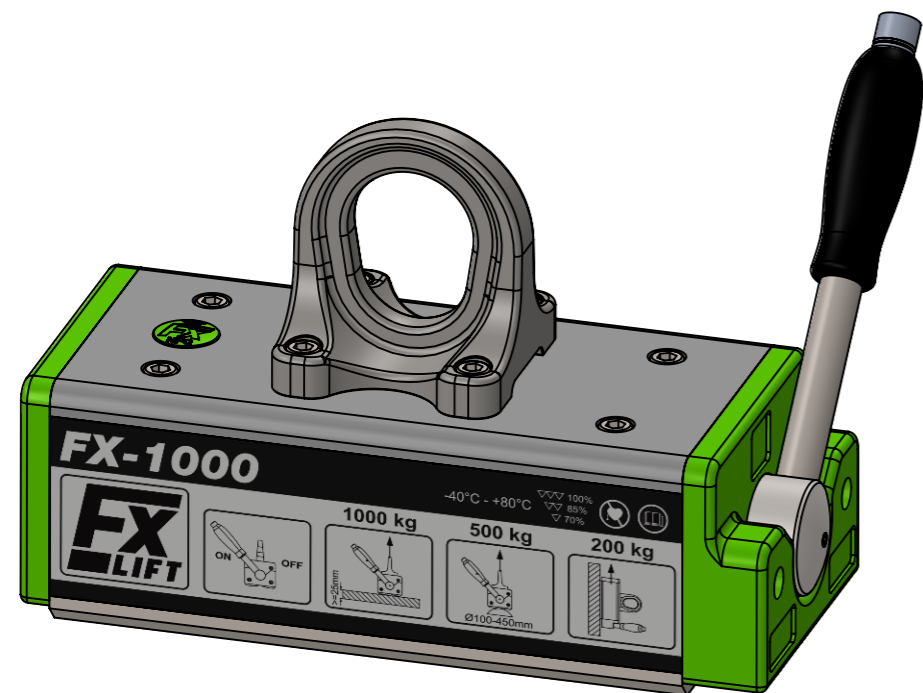
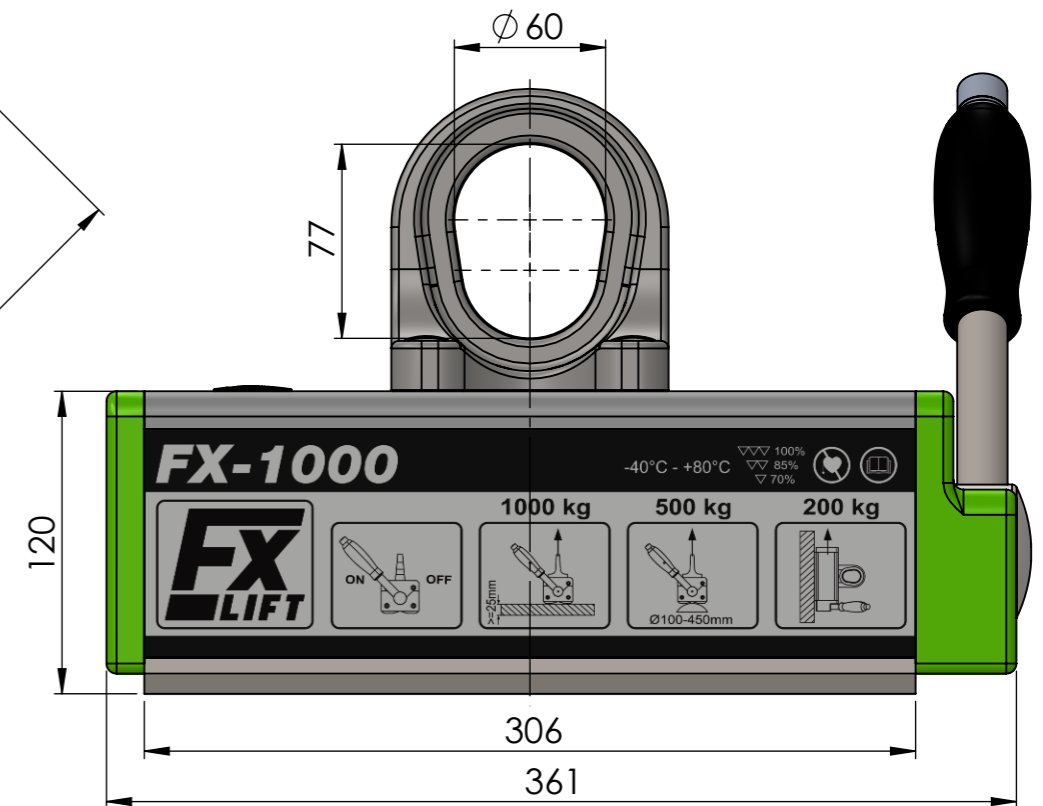
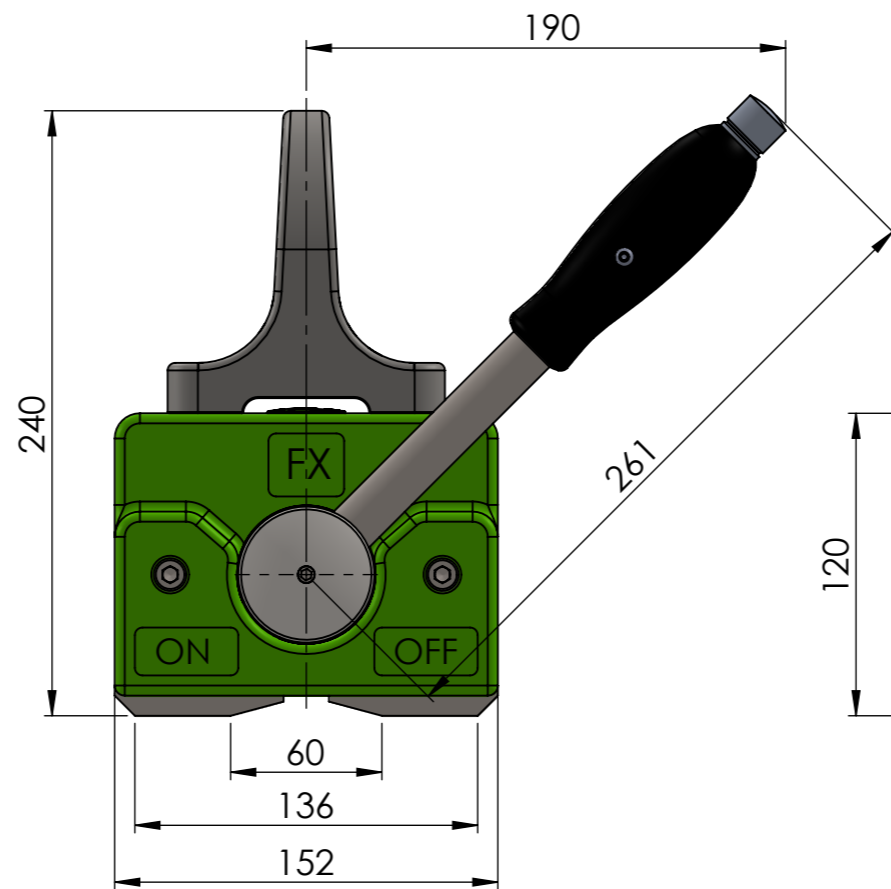
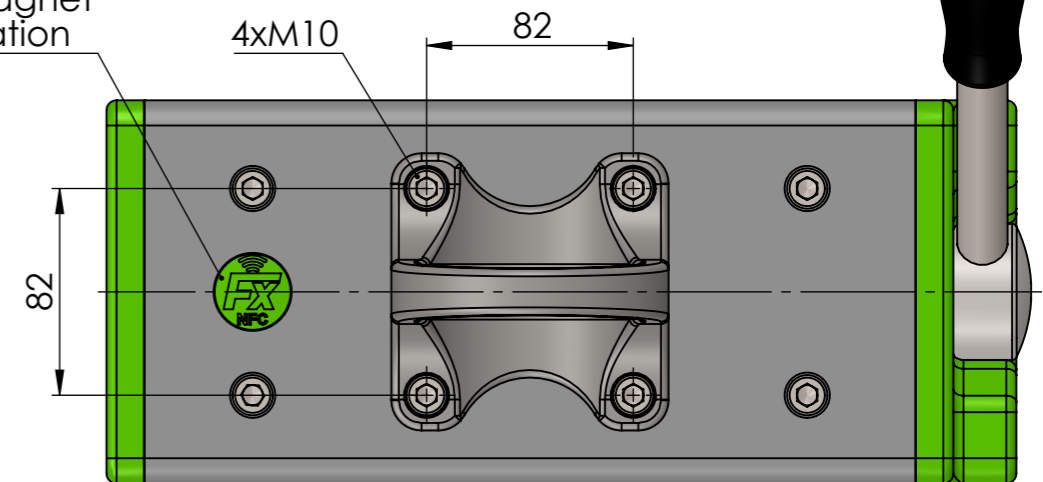


Working Load according to EN 13155/WLL	
Load capacity on flat material:	1000kg
Load capacity Ø100-450:	500kg
Max. load capacity > 25mm material thickness	



Green-Dot
NFC-Tag with magnet related information



FX1000	Air gap <0,3mm			Air gap 0,3- 0,5mm			Air gap 0,5- 0,6mm		
	Max. Load (kg)	Max. L (mm)	Max. B(mm)	Max. Load (kg)	Max. L (mm)	Max. B(mm)	Max. Load (kg)	Max. L (mm)	Max. B(mm)
>=10	350	2250	1500	300	2250	1500	260	2250	1250
>=15	600	2500	1500	500	2500	1500	450	2500	1250
>=20	900	3000	1500	750	3000	1500	675	3000	1250
>=25	1000	3500	1500	850	3000	1500	750	3000	1250
Ø100-450	500	4500	-	400	4000	-	330	3000	-

Schutzvermerk nach DIN ISO 16016 beachten! Nachdruck nur mit unserer Genehmigung!		3,2 / -0,05 / -0,2	tolerance	material:	weight: 42.00
All rights reserved according to DIN ISO 16016! Reprint with our permission only!			ISO 7168 M	drawing no.:	0011892
date	name	drawn	26.07.2022	TW	description: FX-1000
edit	31.01.2024	edit	31.01.2024	TW	
appr.	31.01.2024	appr.	31.01.2024	TW	
04 Green Dot	17.01.2024	TW	part no.:		sheet 1 / 1
03 Bemaßung	06.04.2023	TW	11011000		A3
02 Nut in Body	16.11.2022	TW	scale: 1:3		Status: Freigegeben
rev. change	date	name	www.flraig-te.de		