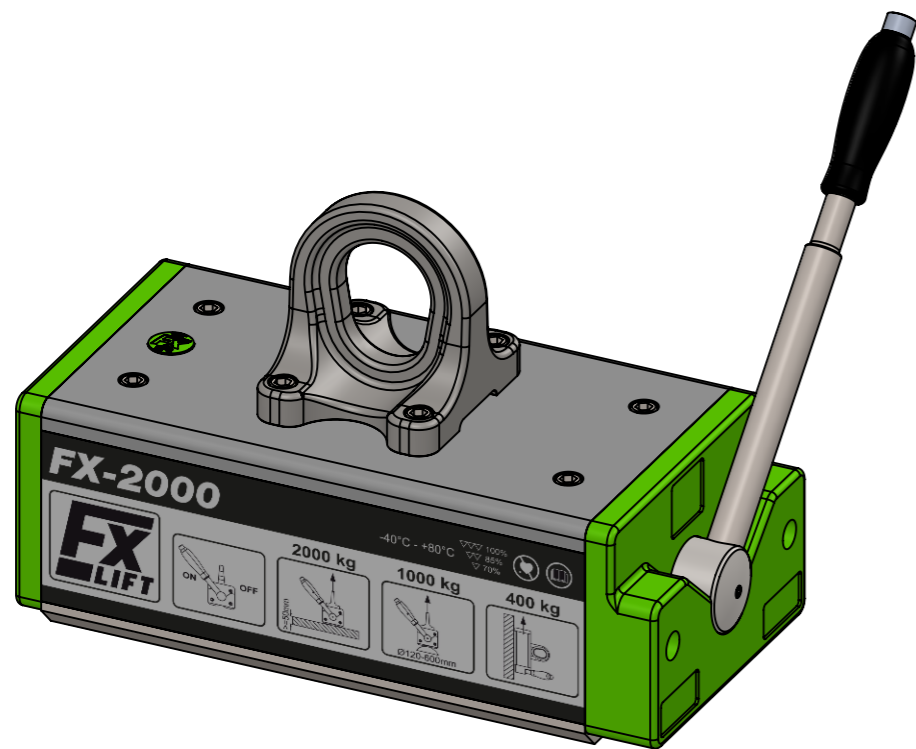
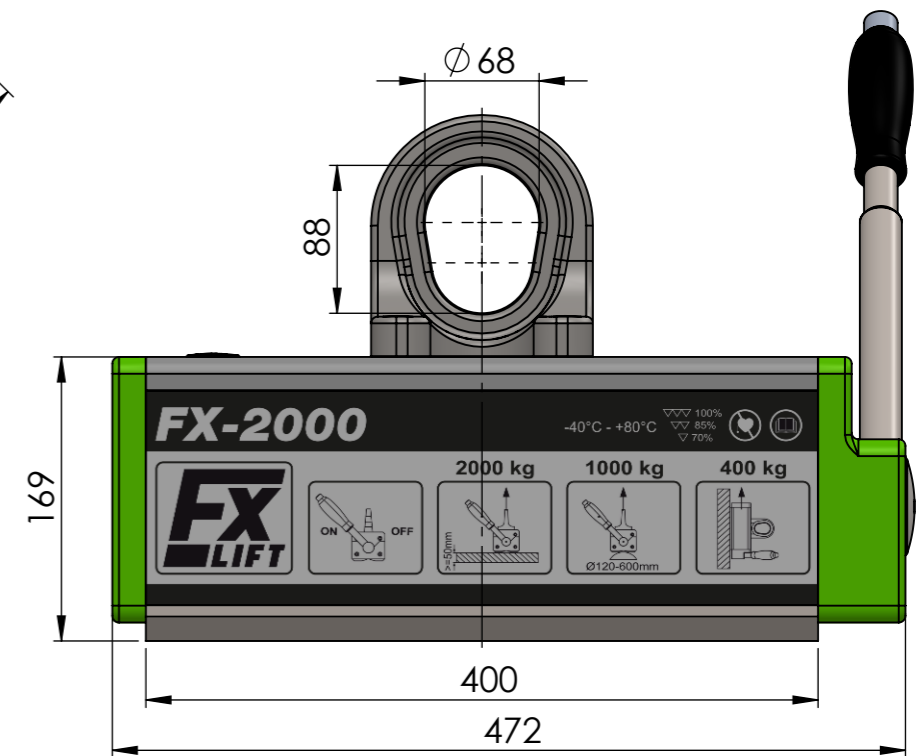
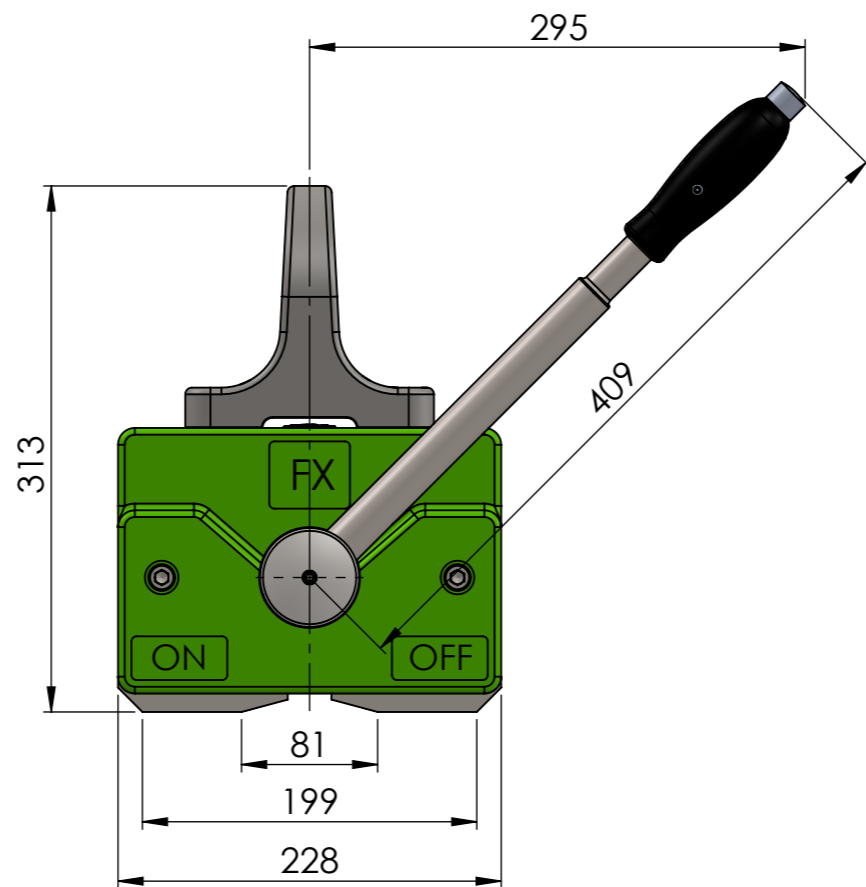
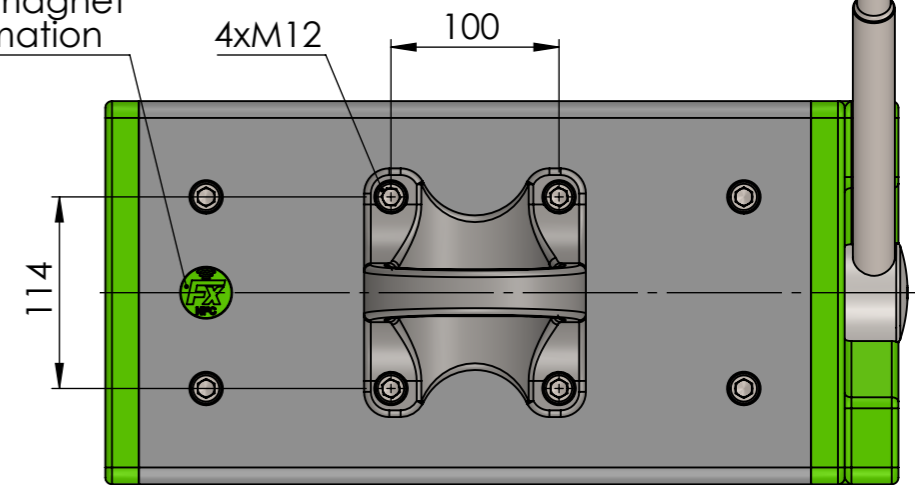



Working load according to EN 13155/WLL	
Load capacity on flat material:	2000kg
Load capacity Ø120-600:	1000kg
Max. load capacity > 50mm material thickness	



**Green-Dot**  
NFC-Tag with magnet related information



FX-2000	Air gap <0,3mm			Air gap 0,3- 0,6mm			Air gap 0,6- 0,8mm			Schutzvermerk nach DIN ISO 16016 beachten! Nachdruck nur mit unserer Genehmigung! All rights reserved according to DIN ISO 16016! Reprint with our permission only!	3,2 / -0,05 / -0,2	tolerance ISO 7168 M	material:	weight: 115.00	
Material Thickness (mm)	Max. Load (kg)	Max. L (mm)	Max. B(mm)	Max. Load (kg)	Max. L (mm)	Max. B(mm)	Max. Load (kg)	Max. L (mm)	Max. B(mm)				date	name	drawing no.:
>=15	500	2500	2000	400	3000	2000	330	2500	1500	drawn	26.07.2022	TW	description:	<b>FX-2000</b>	
>=25	1200	3000	2000	950	3000	2000	800	3000	1500	edit	31.01.2024				
>=40	1600	3500	2000	1300	3000	2000	1100	3000	1500	appr.	31.01.2024	TW			
>=50	2000	4000	2000	1600	3000	2000	1300	3000	1500	 www.flraig-te.de		part no.:	11012000	sheet 1 / 1	
Ø120-600	1000	4500	-	800	3000	-	650	3500	-			rev.	change	date	name