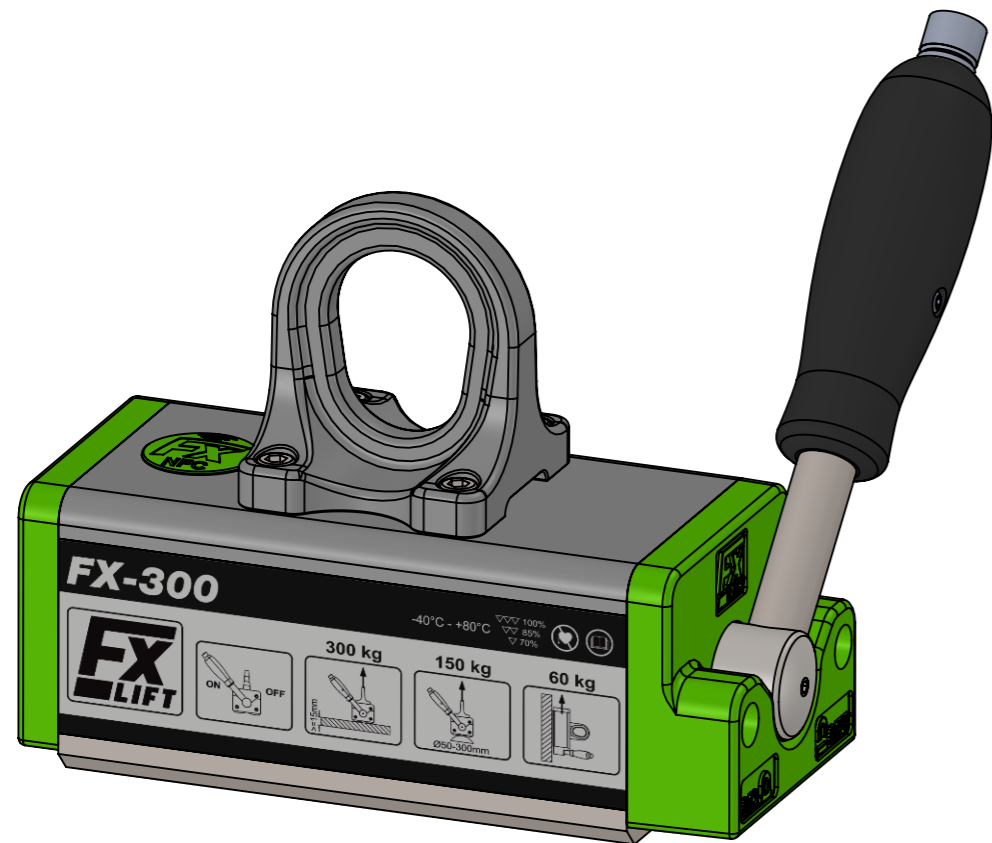
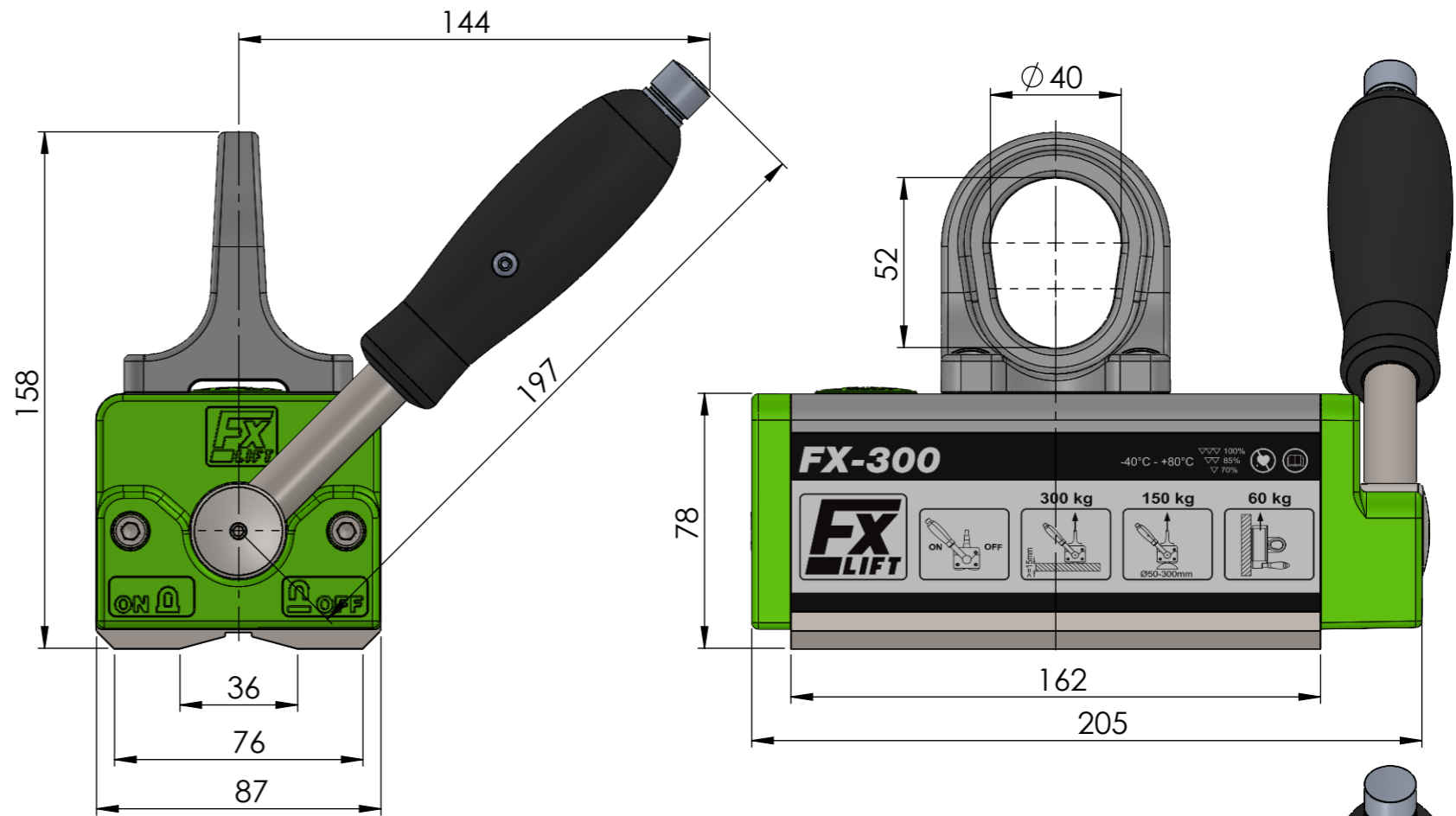
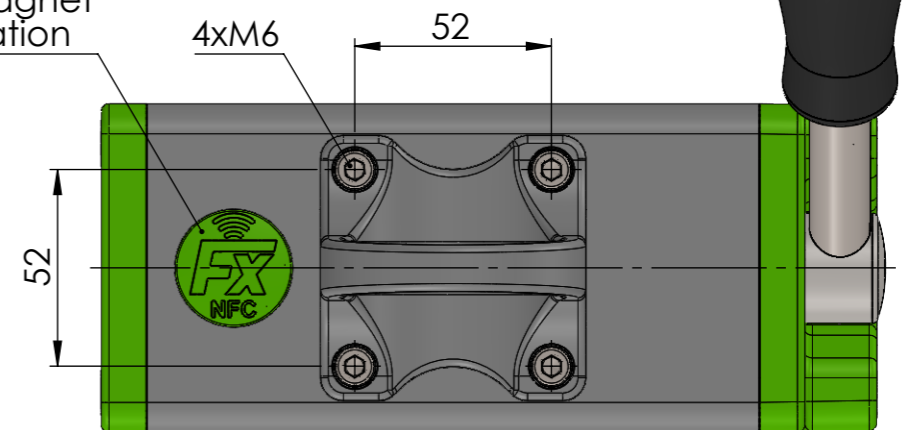


Working load according to EN 13155/WLL	
Load capacity on flat material:	300kg
Load capacity Ø50-300:	150kg
Max. load capacity > 15mm material thickness	



Green-Dot
NFC-Tag with magnet
related information



FX300	Air gap <0,2mm			Air gap 0,2- 0,3mm			Air gap 0,3- 0,6mm			Schutzvermerk nach DIN ISO 16016 beachten! Nachdruck nur mit unserer Genehmigung! All rights reserved according to DIN ISO 16016! Reprint with our permission only!		3,2 / -0,05 / -0,2 tolerance		material:	weight: 8.40
Material Thickness (mm)	Max. Load (kg)	Max. L (mm)	Max. B(mm)	Max. Load (kg)	Max. L (mm)	Max. B(mm)	Max. Load (kg)	Max. L (mm)	Max. B(mm)	date	name	ISO 7168 M	drawing no.:	0011722	
>=4	60	1600	1000	50	1500	1000	40	1250	1000	drawn	01.12.2020	FEU	description:	FX-300	
>=8	200	2000	1250	160	2000	1250	120	1500	1000	edit	31.01.2024				
>=10	230	2250	1250	190	2000	1250	150	1500	1000	appr.	31.01.2024	TW			
>=15	300	2500	1250	250	2000	1250	200	1500	1000	 www.flraig-te.de		part no.:	11010300	sheet 1 / 1	
Ø50-300	150	3000	-	125	2500	-	100	2000	rev.			change	date	name	scale: 1:2