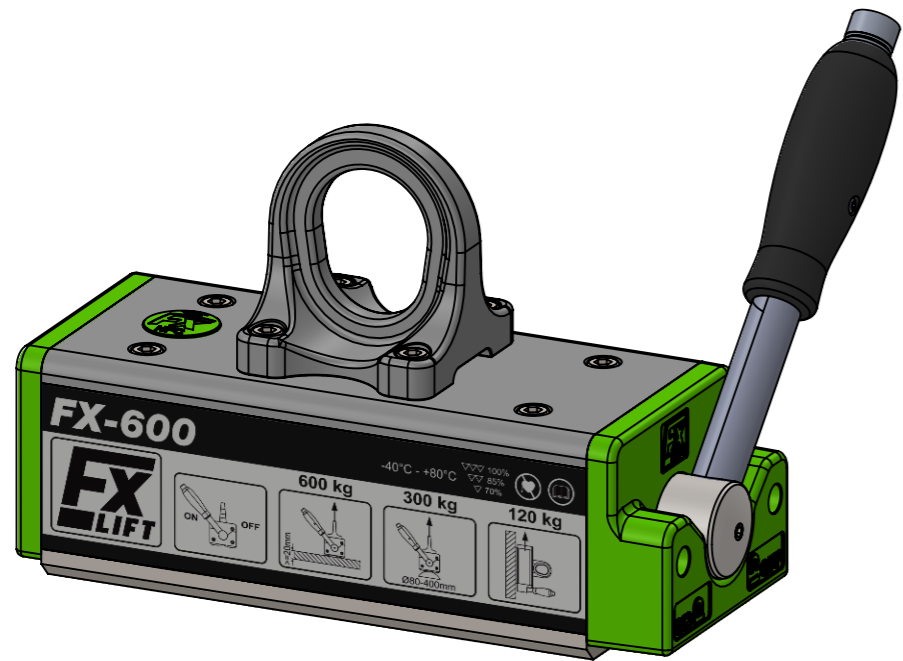
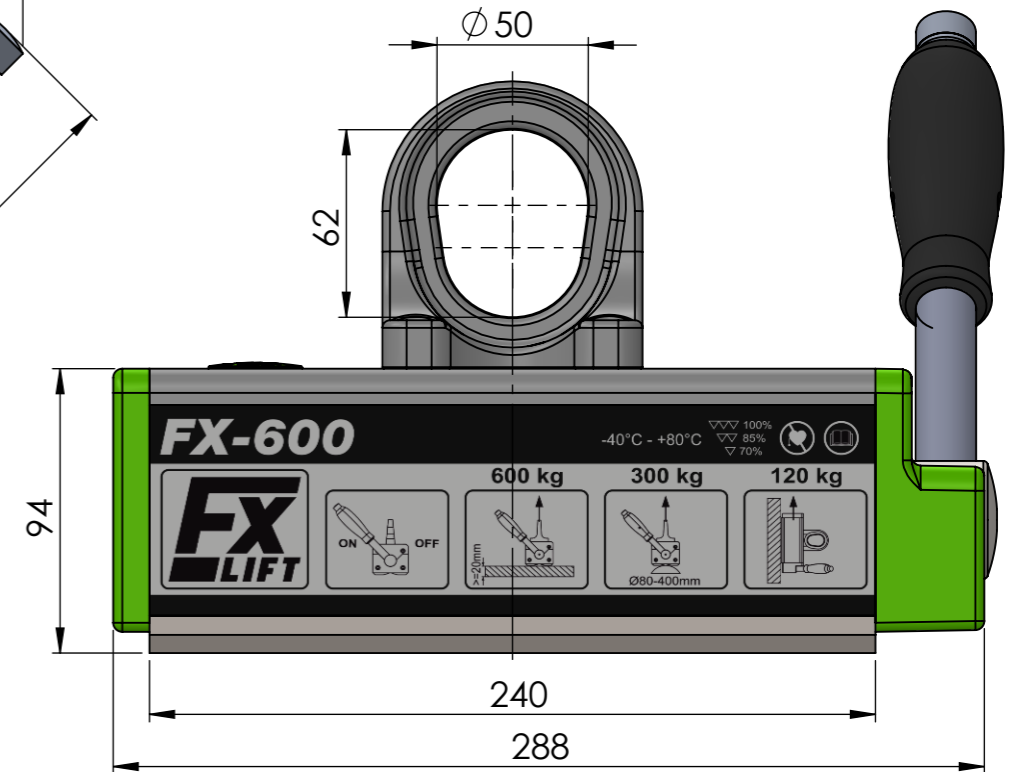
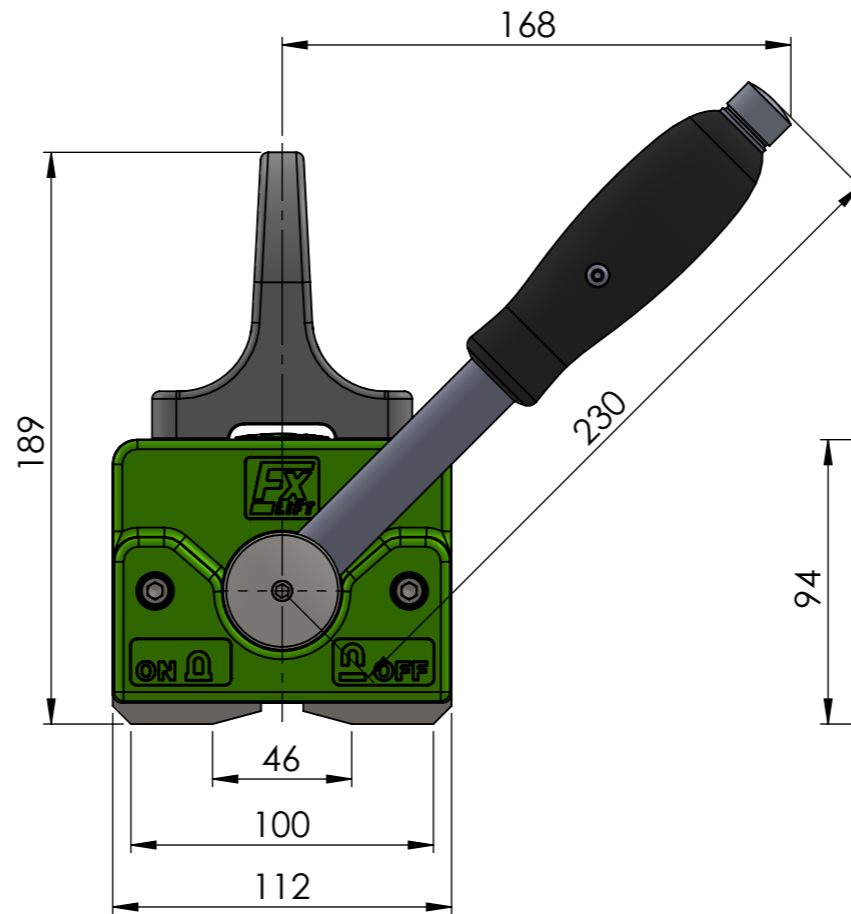
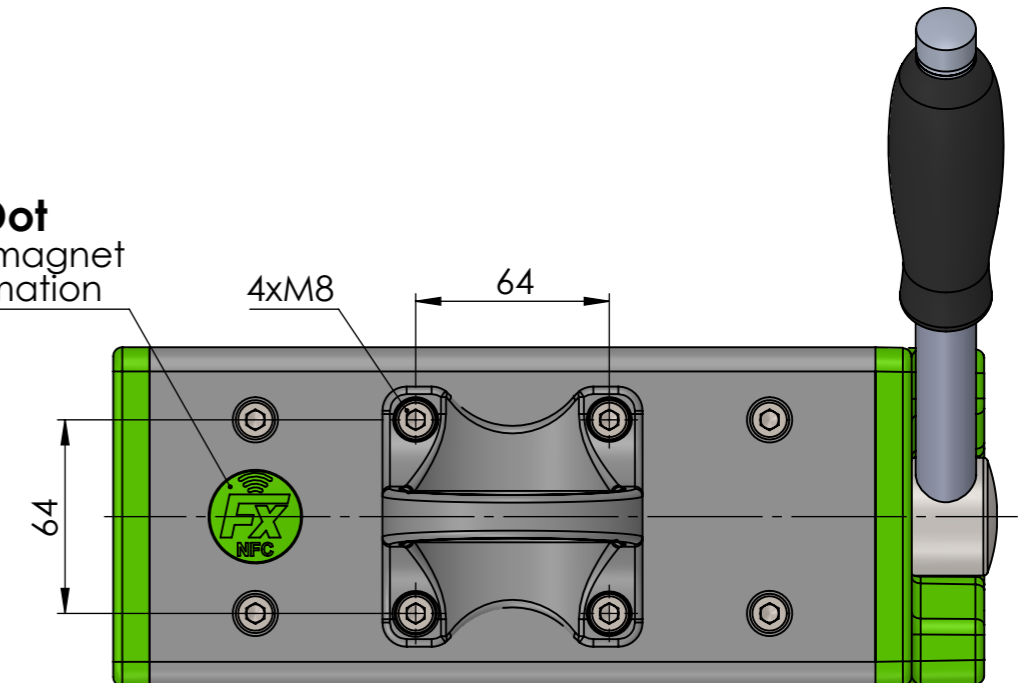


Working load according to EN 13155/WLL	
Load capacity on flat material:	600kg
Load capacity Ø80-400:	300kg
Max. load capacity > 20mm material thickness	



Green-Dot
NFC-Tag with magnet related information



FX600	Air gap <0,2mm			Air gap 0,2- 0,3mm			Air gap 0,3- 0,6mm		
Material Thickness (mm)	Max. Load (kg)	Max. L (mm)	Max. B(mm)	Max. Load (kg)	Max. L (mm)	Max. B(mm)	Max. Load (kg)	Max. L (mm)	Max. B(mm)
>=6	150	1800	1500	120	1800	1250	100	1500	1250
>=10	300	2250	1500	250	2250	1250	210	2000	1250
>=15	500	2500	1500	440	2500	1250	350	2000	1250
>=20	600	3000	1500	520	3000	1250	440	2500	1250
Ø80-400	300	4000	-	250	3500	-	200	3000	-

Schutzvermerk nach DIN ISO 16016 beachten!
Nachdruck nur mit unserer Genehmigung!
All rights reserved according to DIN ISO 16016!
Reprint with our permission only!

	tolerance	material:	weight: 19.00
	ISO 7168 M	drawing no.:	0011743
	date	name	description: FX-600
drawn	01.12.2020	FEU	
edit	31.01.2024		
appr.	31.01.2024	TW	

FLAIG
Magnetsysteme
www.flraig-te.de

part no.:	11010600	sheet	1 / 1
scale:	1:2.5	Status:	Freigegeben