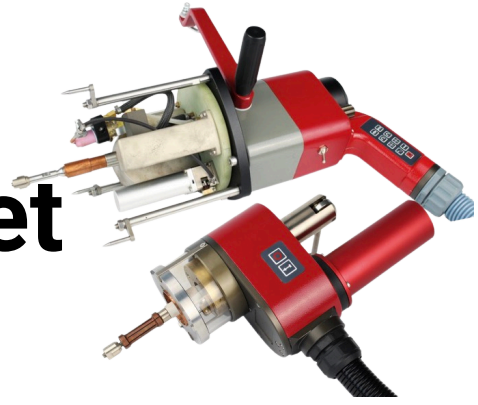




# Tube To Tubesheet

## TTS Serie



The tube-to-tubesheet weld heads from Orbitalservice have outstanding features: The special design make it easy to handle while maintaining a high level of efficiency and functionality. Its efficient liquid cooling system contributes to its high durability. Several thousand weld seams can be produced with constant quality with these tube-to-tubesheet orbital welding heads.

### MADE FOR THE HEAT EXCHANGERS

Our TTS heads have become an indispensable method for welding heat exchangers, offering unparalleled quality, consistency, and automation for tube-to-tube sheet welds. Its precision, particularly in industries that require high-pressure and high-temperature systems, makes it the ideal choice for producing durable and reliable heat exchangers.



### CONSISTENT QUALITY AND PRECISION

Ensuring consistent quality in heat exchanger welding is essential to maintain the performance, safety, and longevity of the heat exchanger. Welding is a critical process in the construction and repair of heat exchangers because the welded joints need to withstand high pressures, temperatures, and corrosive environments. These are the reason why, our TTS welding heads are being used.



+49 (0)6092 822 940  
info@orbitalservice.de



MADE IN GERMANY

# Tube To Tubesheet

## TTS 40



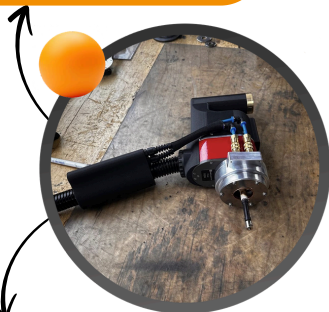
### FEATURES

- Tube to tube sheet welding without filler wire
- Commonly used for stainless steel, titanium and nickel alloy tube to tube sheet welding
- Small, light and simple operation
- Uses localized guide for self-centering with optional spring balancer
- Expandable centering mandrel designed for precise positioning
- Enhanced water cooling system and high duty cycle for durability

### PRODUCT DETAILS

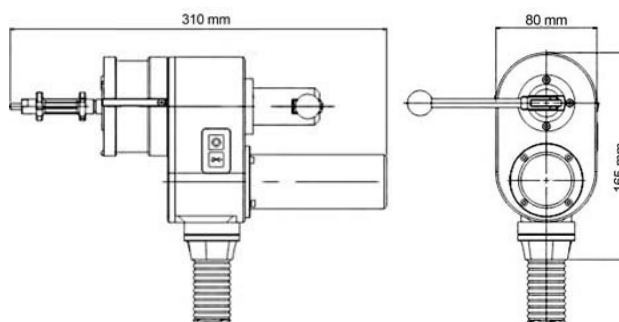
<b>Tube ID min-max</b>	16 mm - 38 mm 0.63" - 1.5"
<b>Electrode diameter</b>	1.6 mm - 2.4 mm 0.063" - 0.093"
<b>Weight</b>	3.5 kg / 8 lbs w/o hose
<b>Hose package length</b>	12 m 40 ft

Pneumatic clamping function available as an option



Heavy Duty water cooling function available as an option

### DIMENSIONS



**ORBITALSERVICE®**  
THE FUTURE OF ORBITAL WELDING, TODAY AND TOMORROW

+49 (0)6092 822 940  
info@orbitalservice.de

# Tube To Tubesheet

## TTS 90



### FEATURES

- With cold wire unit (with rotating) for TIG-DC welding
- Continuous rotation possible without twisting the cold wire
- Pneumatic clamping system
- Eroded clamping cartridge
- Head can be mounted on a balancer
- Suitable for steel, stainless steel and nickel-based alloys
- For flush tubes, recessed (1 mm) and protruding (5 mm) tubes
- Cooled up to the clamping cartridge
- Tungsten angle adjustable (0° to 30°)

### PRODUCT DETAILS

<b>Tube ID min-max</b>	12 mm - 90 mm 0.47" - 3.54"
<b>Electrode diameter</b>	1.6 mm - 2.4 mm 0.063" - 0.093"
<b>Weight</b>	13 kg / 28 lbs w/o Hose
<b>Hose package length</b>	8 m 26 ft
<b>Wire</b>	0.8 mm - 1 mm



Manipulator as an option



### DIMENSIONS

